

ZBK Switch & changeover

DIN rail mounting modular padlockable handle IP40

3P - 3P+N - 6P - 8P

Size 0

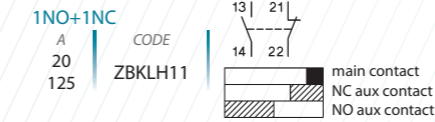
A 20|25|40|63|80|125



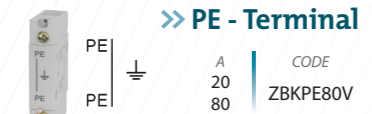
	CODE-20A	CODE-25A	CODE-40A	CODE-63A	CODE-80A	CODE-125A
Switch	3P	ZBK20SMAHN1A3	ZBK25SMAHN1A3	ZBK40SMAHN1A3	ZBK63SMAHN1A3	ZBK80SMAHN1A3
	3P+N	ZBK20SMAHN1A4	ZBK25SMAHN1A4	ZBK40SMAHN1A4	ZBK63SMAHN1A4	ZBK80SMAHN1A4
	3P	ZBK20SMAH1A3	ZBK25SMAH1A3	ZBK40SMAH1A3	ZBK63SMAH1A3	ZBK80SMAH1A3
	3P+N	ZBK20SMAH1A4	ZBK25SMAH1A4	ZBK40SMAH1A4	ZBK63SMAH1A4	ZBK80SMAH1A4
	6P	-	ZBK25SMAHN1A6	ZBK40SMAHN1A6	-	ZBK80SMAHN1A6
	8P	-	ZBK25SMAHN1A8	ZBK40SMAHN1A8	-	ZBK80SMAHN1A8
Changeover	3P+N	ZBK20SMAH1U4	ZBK25SMAH1U4	ZBK40SMAH1U4	ZBK63SMAH1U4	-

Accessories

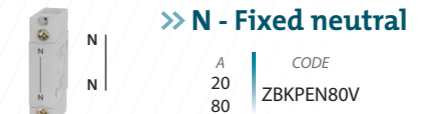
» Auxiliary contacts



» PE - Terminal



» N - Fixed neutral

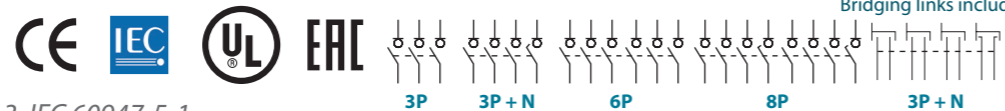


Auxiliary contacts technical information

Rated insulation voltage	Ui	V	690
Rated thermal current	Ith - Ithe	A	10
Switching capacity	AC15	220-240V	A 2,5
	AC15	380-440V	A 1,5
Rated conditional short-circuit current	kAeff	3	
Max. short circuit protection	gL(gG)	A	10

Connecting capacity		
Solid or stranded cable	mm ²	0,75-2,5
	AWG	14-12
Flexible cable (+ multicore cable end)	mm ²	0,75-2,5 (1,5)
	AWG	18-14

Technical information



According to VDE 0660, IEC 60947-3, IEC 60947-5-1

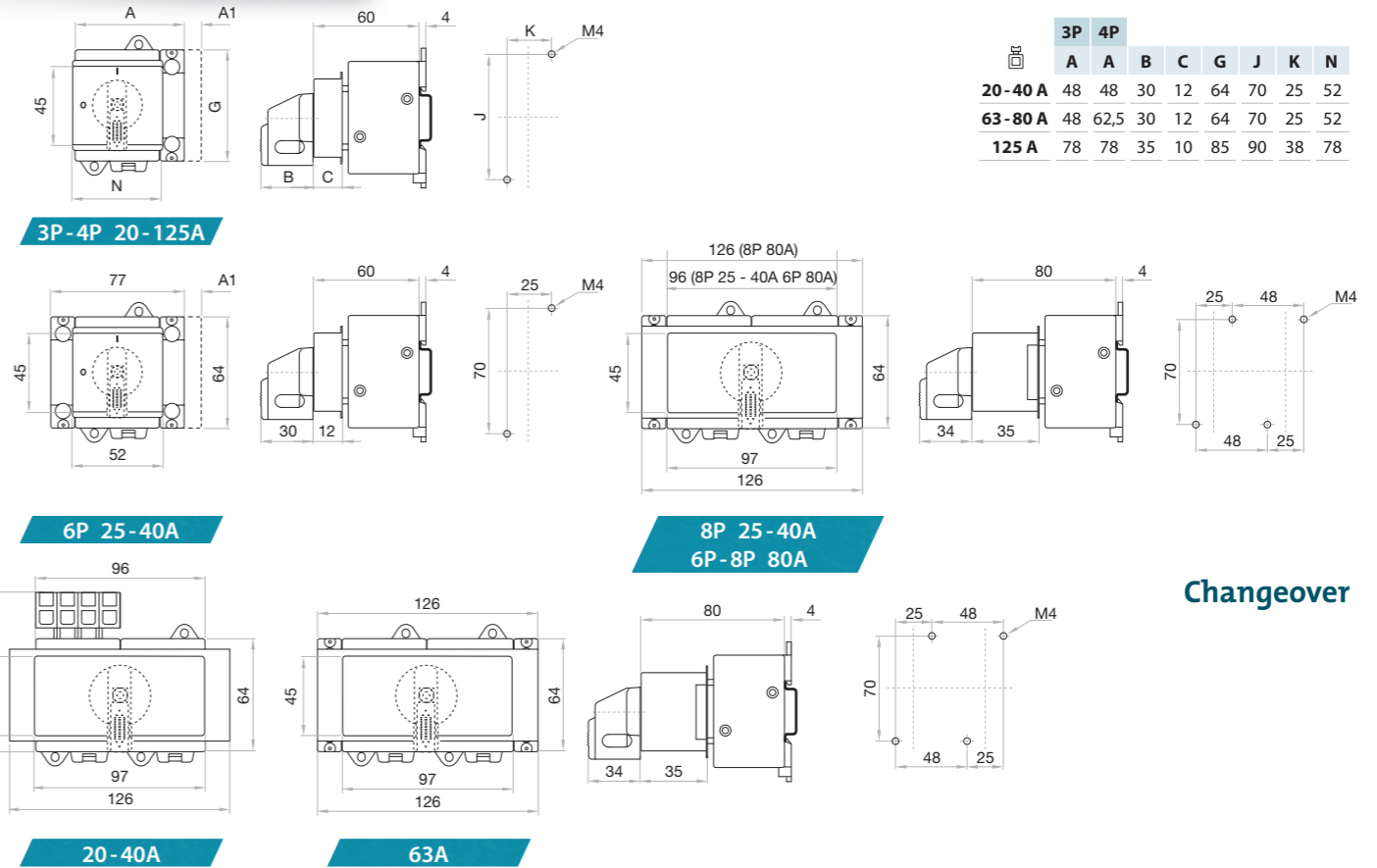
		20	25	40	63	80	125
Rated thermal current	Ith	20	25	40	63	80	125
Rated thermal current enclosed	Ithe	20	25	40	63	80	110
Rated insulation voltage	Ui	690	690	690	690	690	1000
Rated impulse withstand voltage	Uimp	6	6	6	6	6	8
AC rated operational current	Ie	20	25	40	63	80	125
Making capacity	leff	3x380-440V	160	190	300	370	440
	leff	3x220-240V	160	180	250	330	380
Breaking capacity	leff	3x380-440V	160	180	250	330	380
	leff	3x660-690V	80	110	170	190	220
Direct switching motors	AC3	3x400V	12	16	30	37	72
	AC3	3x220-240V	3	4	7,5	11	22
	AC3	3x380-440V	5,5	7,5	15	18,5	37
	AC3	3x660-690V	5,5	7,5	15	18,5	30
	AC3	3x400V	16	20	32	45	85
Main & safety switch	AC23A	3x220-240V	4	5,5	9	15	30
	AC23B	3x380-440V	7,5	10	16	22	45
	AC23B	3x660-690V	5,5	7,5	15	18,5	37
Rated conditional short-circuit current	kAeff	10	10	10	10	10	10
Max. fuse size	gL(gG)	A 25	35	50	63	80	125
Rated short-time withstand current (1sec.)	Icw	A 250	300	500	600	850	1500
Mechanical life	x10 ³	200	200	200	100	100	100
Connecting capacity							
Solid or stranded cable	mm ²	0,5-10		1-25 ^{*(1)}		4-50	
	AWG	20-8 (10)		16-4 (10)		10-0 (10)	
Flexible cable	mm ²	0,5-6		4-16 ^{*(1)}		10-35	
	AWG	20-10		16-6		8-2	
Size of terminal screw		M3,5		M5		M6	
Tightening torque	Nm	0,8-1,7		2-4		3,5-4,5	

According to UL & cUL FILE NO. E123623

		20	25	40	63	80	125
Rated voltage	V	600	600	600	600	600	600
Ampere-Rating "General use"	A	20	25	40	63	80	125
DOL-Rating 3-phase	HP	1	1,5	2	3	5	15
	HP	3	5	5	10	10	30
	HP	7,5	10	10	20	20	60
	HP	10	10	15	25	25	60
	HP	1	1	1	2	2	7,5
DOL-Rating 1-phase	HP	1	2	3	3	10	
	HP	2	2	3	5	15	
	HP	40	50	70	90	110	125
Fuse size (RK5)	A	40	50	70	90	110	125
5kA / 600V	A	40	50	50	70	70	125
Tightening torque	Nm	1,2-2,3	1,2-2,3	1,2-2,3	2,8-4	2,8-4	1,7-4,5
	lb.Inch	11-20	11-20	11-20	24-35	24-35	15-40

^{*(1)} ZBK63 U stranded 16 mm² / flexible 10 mm²

Dimensions (mm)



Switch

A	3P		4P		B	C	G	J	K	N
	A	A	A	A						
20-40 A	48	48	30	12	64	70	25	52		
63-80 A	48	62,5	30	12	64	70	25	52		
125 A	78	78	35	10	85	90	38	78		

Changeover

» Other options also available on request:
- Terminal shrouds
- Changeoveres de 3P