

# ZBK Switch door mounting with padlockable handle IP66

3P - 3P+N

Size 0

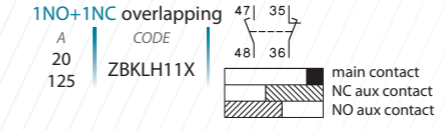
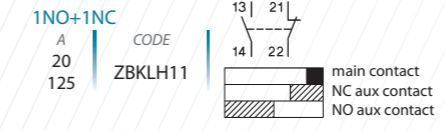
A 20|25|40|63|80|125



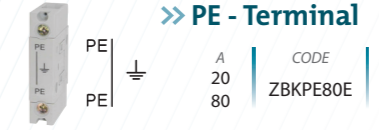
		CODE-20A	CODE-25A	CODE-40A	CODE-63A	CODE-80A	CODE-125A
64	3P	ZBK20EHN4A3	ZBK25EHN4A3	ZBK40EHN4A3	ZBK63EHN4A3	ZBK80EHN4A3	ZBK125EHN4A3
	3P+N	ZBK20EHN4A4	ZBK25EHN4A4	ZBK40EHN4A4	ZBK63EHN4A4	ZBK80EHN4A4	ZBK125EHN4A4
48	3P	ZBK20EH4A3	ZBK25EH4A3	ZBK40EH4A3	ZBK63EH4A3	ZBK80EH4A3	ZBK125EH4A3
	3P+N	ZBK20EH4A4	ZBK25EH4A4	ZBK40EH4A4	ZBK63EH4A4	ZBK80EH4A4	ZBK125EH4A4
64	3P	ZBK20EHN1A3	ZBK25EHN1A3	ZBK40EHN1A3	ZBK63EHN1A3	ZBK80EHN1A3	-
	3P+N	ZBK20EHN1A4	ZBK25EHN1A4	ZBK40EHN1A4	ZBK63EHN1A4	ZBK80EHN1A4	-
48	3P	ZBK20EH1A3	ZBK25EH1A3	ZBK40EH1A3	ZBK63EH1A3	ZBK80EH1A3	-
	3P+N	ZBK20EH1A4	ZBK25EH1A4	ZBK40EH1A4	ZBK63EH1A4	ZBK80EH1A4	-

## Accessories

### Auxiliary contacts



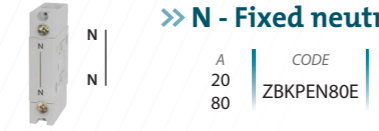
### PE - Terminal



### N - Terminal



### N - Fixed neutral



## Auxiliary contacts technical information

Rated insulation voltage	Ui	V	690
Rated thermal current	Ith - Ithe	A	10
Switching capacity	AC15	220-240V	A 2,5
	AC15	380-440V	A 1,5
Rated conditional short-circuit current	kAeff	3	
Max. short circuit protection	gL(gG)	A	10

Connecting capacity		
Solid or stranded cable	mm <sup>2</sup>	0,75-2,5
	AWG	14-12
Flexible cable (+ multicore cable end)	mm <sup>2</sup>	0,75-2,5 (1,5)
	AWG	18-14

## Technical information

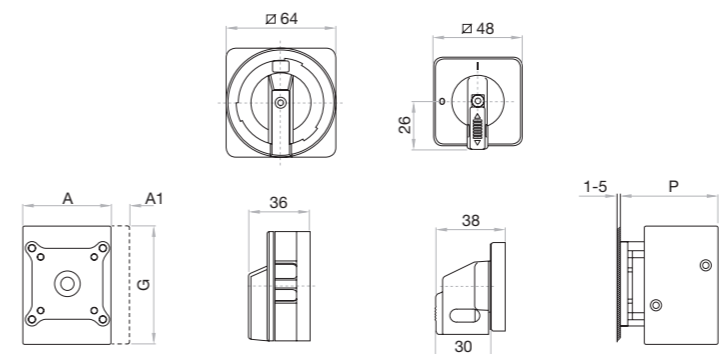


According to VDE 0660, IEC 60947-3, IEC 60947-5-1

			20	25	40	63	80	125
Rated thermal current	Ith	A	20	25	40	63	80	125
Rated thermal current enclosed	Ithe	A	20	25	40	63	80	110
Rated insulation voltage	Ui	V	690	690	690	690	690	1000
Rated impulse withstand voltage	Uimp	kV	6	6	6	6	6	8
AC rated operational current	Ie	AC21A	A	20	25	40	63	80
Making capacity	Ieff	3x380-440V	A	160	190	300	370	440
		3x220-240V	A	160	180	250	330	380
		3x660-690V	A	80	110	170	190	220
Breaking capacity		3x220-240V	A	160	180	250	330	380
		3x380-440V	A	160	180	250	330	380
		3x660-690V	A	80	110	170	190	220
		3x660-690V	kW	5,5	7,5	15	18,5	18,5
Direct switching motors	AC3	3x400V	A	12	16	30	37	72
		3x220-240V	kW	3	4	7,5	11	22
		3x380-440V	kW	5,5	7,5	15	18,5	37
		3x660-690V	kW	5,5	7,5	15	18,5	37
Main & safety switch	AC23	3x400V	A	16	20	32	45	85
		3x220-240V	kW	4	5,5	9	15	30
		3x380-440V	kW	7,5	10	16	22	45
		3x660-690V	kW	5,5	7,5	15	18,5	37
Rated conditional short-circuit current	kAeff	10	10	10	10	10		
Max. fuse size	gL(gG)	A	25	35	50	63	80	
Rated short-time withstand current (1sec.)	Icw	A	250	300	500	600	1500	
Mechanical life	x10 <sup>3</sup>	200	200	200	100	100		
Connecting capacity								
	Solid or stranded cable	mm <sup>2</sup>	0,5-10		1-25 <sup>*(1)</sup>		4-50	
Flexible cable								
	mm <sup>2</sup>	0,5-6		4-16 <sup>*(1)</sup>		10-35		
Size of terminal screw		M3,5		M5		M6		
Tightening torque	Nm	0,8-1,7		2-4		3,5-4,5		

## Dimensions (mm)

Door drilling for external handle



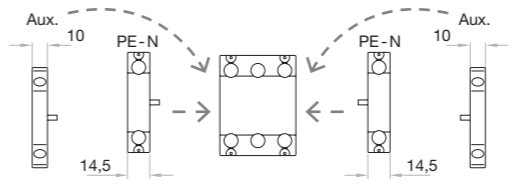
	3P	4P			
	A	A	E	G	P
20-80 A $\varnothing$ 48	48	62,5	36	64	54
20-80 A $\varnothing$ 64	48	62,5	48	64	54
125 A $\varnothing$ 64	78	78	48	85	60

According to UL & cUL FILE NO. E123623

			20	25	40	63	80	125
Rated voltage	V	600	600	600	600	600	600	600
Ampere-Rating "General use"	A	20	25	40	63	80	125	125
DOL-Rating 3-phase	110-220V	HP	1	1,5	2	3	5	15
	220-240V	HP	3	5	5	10	10	30
	440-480V	HP	7,5	10	10	20	20	60
	550-600V	HP	10	10	15	25	25	60
	110-120V	HP	1	1	1	2	2	7,5
DOL-Rating 1-phase	200-208V	HP	1	2	2	3	3	10
	220-240V	HP	2	2	3	5	15	
	5kA / 600V	Manual Motor Controller	A	40	50	70	90	110
Tightening torque	Nm	1,2-2,3	1,2-2,3	1,2-2,3	2,8-4	2,8-4	1,7-4,5	
	lb.Inch	11-20	11-20	11-20	24-35	24-35	15-40	

<sup>\*(1)</sup> ZBK63...U stranded 16 mm<sup>2</sup> / flexible 10 mm<sup>2</sup>

### Auxiliary contacts



Other options also available on request:  
 - Products external mounting fixing  $\varnothing$ 22  
 - Terminal shrouds